



20W (1/37.5 HP)

TORQUE MOTORS Frame size 90mm sq. (3.54 in. sq.)

Single-Phase

LEAD WIRE TYPE

SPECIFICATIONS

INSULATION CLASS A or E, 4POLES

| Model | Rating At Locked Rotor | Voltage (V) | Frequency (Hz) | Maximum Output (W) | At Maximum Output | | | | Speed (rpm) | Starting Torque | | | Capacitor (μF) |
|---------|------------------------|-------------|----------------|--------------------|-------------------|----------------------------|-------|---------|-------------|-----------------|---------|-------|----------------|
| | | | | | Current (A) | Torque (kg-cm, N-m, oz-in) | | (kg-cm) | | (N-m) | (oz-in) | | |
| L9T20□C | 5 MIN. CONT. | 1∅100 | 50 | 23 | 0.92 | 2.9 | 0.284 | 40.27 | 750 | 3.7 | 0.363 | 51.38 | 16 |
| | | 1∅60 | | 6 | 0.58 | 0.78 | 0.076 | 10.83 | | 1.4 | 0.137 | 19.44 | |
| L9T20□B | 5 MIN. CONT. | 1∅100 | 60 | 20 | 0.85 | 2.2 | 0.216 | 30.55 | 900 | 3 | 0.294 | 41.66 | 12 |
| | | 1∅60 | | 6 | 0.52 | 0.65 | 0.064 | 9.03 | | 1.1 | 0.108 | 15.28 | |
| L9T20□E | 5 MIN. CONT. | 1∅220 | 60 | 20 | 0.45 | 2.2 | 0.216 | 30.55 | 900 | 3 | 0.294 | 41.66 | 3 |
| | | 1∅140 | | 6 | 0.34 | 0.65 | 0.064 | 9.03 | | 1.1 | 0.108 | 15.28 | |
| L9T20□X | 5 MIN. CONT. | 1∅115 | 60 | 25 | 0.98 | 2.7 | 0.265 | 37.49 | 900 | 3.5 | 0.343 | 48.60 | 12 |
| | | 1∅60 | | 6 | 0.52 | 0.65 | 0.064 | 9.03 | | 1.1 | 0.108 | 15.28 | |
| L9T20□X | 5 MIN. CONT. | 1∅220 | 50 | 23 | 0.44 | 2.9 | 0.284 | 40.27 | 750 | 3.7 | 0.363 | 51.38 | 3.5 |
| | | 1∅140 | | 6 | 0.29 | 0.78 | 0.076 | 10.83 | | 1.4 | 0.137 | 19.44 | |

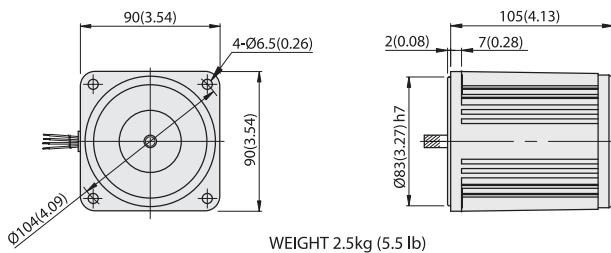
* Model in grey screen represents the motors with THERMALLY PROTECTED according to UL regulation.
 * Model in dark grey screen represents the motors with THERMALLY PROTECTED according to CE regulation.
 * Insulation class for motors which acquired certificates for export is B.

TORQUE MOTORS

DIMENSIONS

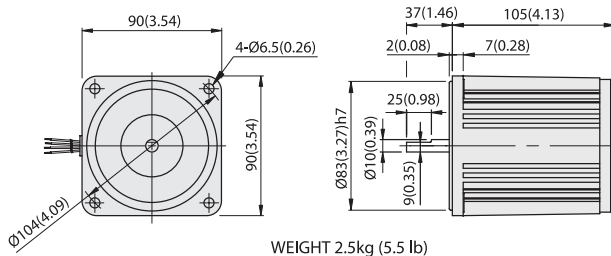
L9T20P□L

Unit : mm(inch)



WEIGHT 2.5kg (5.5 lb)

L9T20D□L

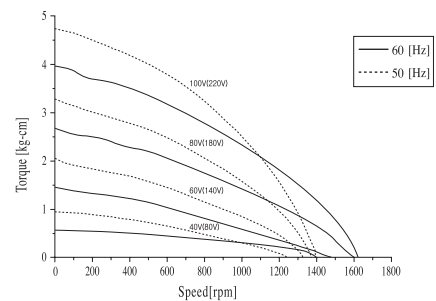


WEIGHT 2.5kg (5.5 lb)

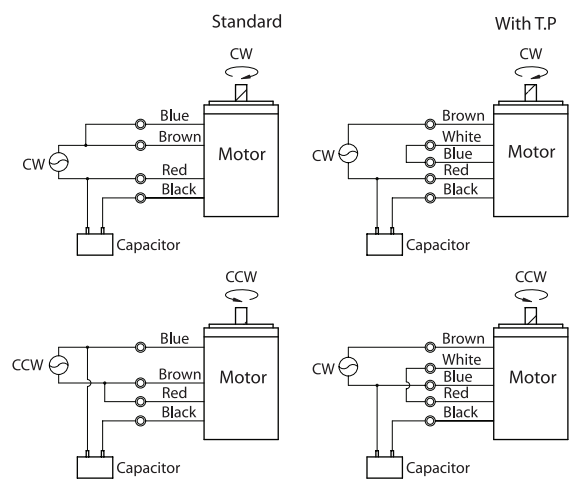


SPEED-TORQUE CURVE

Single phase L9T20 □□



CONNECTION DIAGRAMS (3-lead wire type)



The direction of rotation is seen from the end of motor shaft.